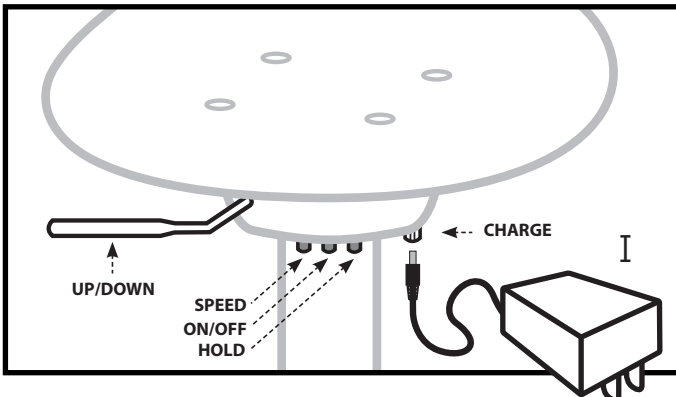


Part # BS-SPYRA

14-0417



Instructions

Assembly

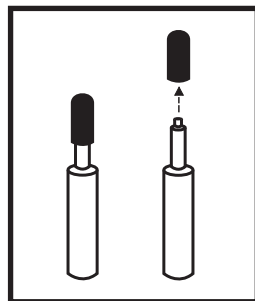
1. Remove protective cap from Hydraulic pole (G).
2. Insert Hydraulic pole (G) into Base (H).
3. Place Metal pole (E) over Hydraulic pole (G).
4. Insert LED Mechanism (D) into Metal Pole (E).
5. Place Seat (A) over LED Mechanism (D) and Metal pole (E).
6. Secure by placing Screws (B) and Washers (C) into Seat (A). Fasten Screws (B) and Bolts (F).
7. Carefully sit on Seat (A) to secure.

Operation

1. Charge internal battery using Adaptor (I). Battery lasts 6 - 8 hours on a full 8 hour charge.
2. Push SPEED button to regulate color phasing between Slow, Medium and Fast.
3. Push ON/OFF button to turn LEDs on and off.
4. Push HOLD button to pause LEDs on specific color.
5. Adjust height using lever.

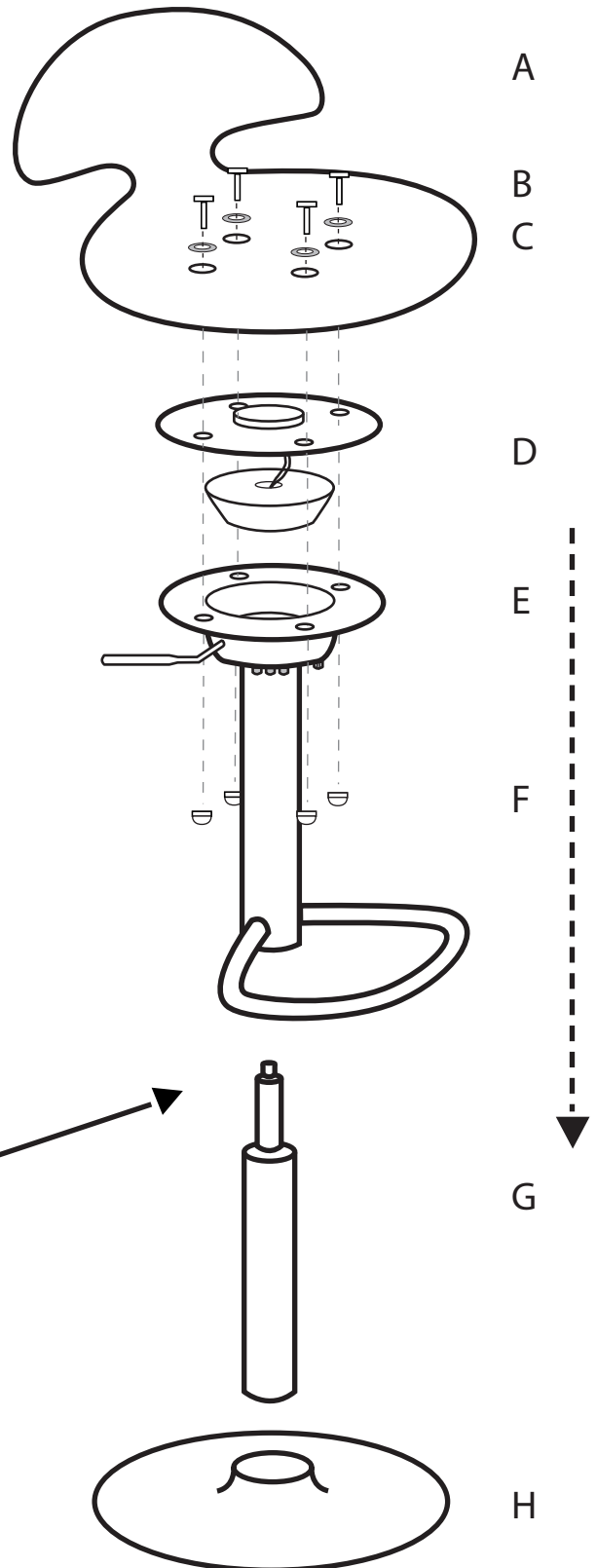
Part List

- 1 Seat with backrest (A)
- 4 Screws (B)
- 4 Washers (C)
- 1 LED Mechanism (D)
- 1 Metal pole with footrest (E)
- 4 Bolts (F)
- 1 Hydraulic pole (G)
- 1 Base (H)
- 1 Adaptor 6Vac 500 mA (I)



ATTENTION:

This cap must be removed prior to assembly!



Do not over tighten.

Do not use power tools to assemble.