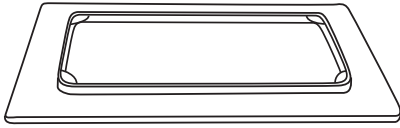


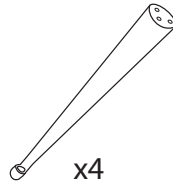
Part # DT-TW-OR6036E

15-0211

PARTS



A



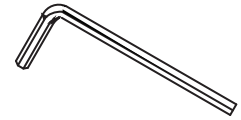
x4

B



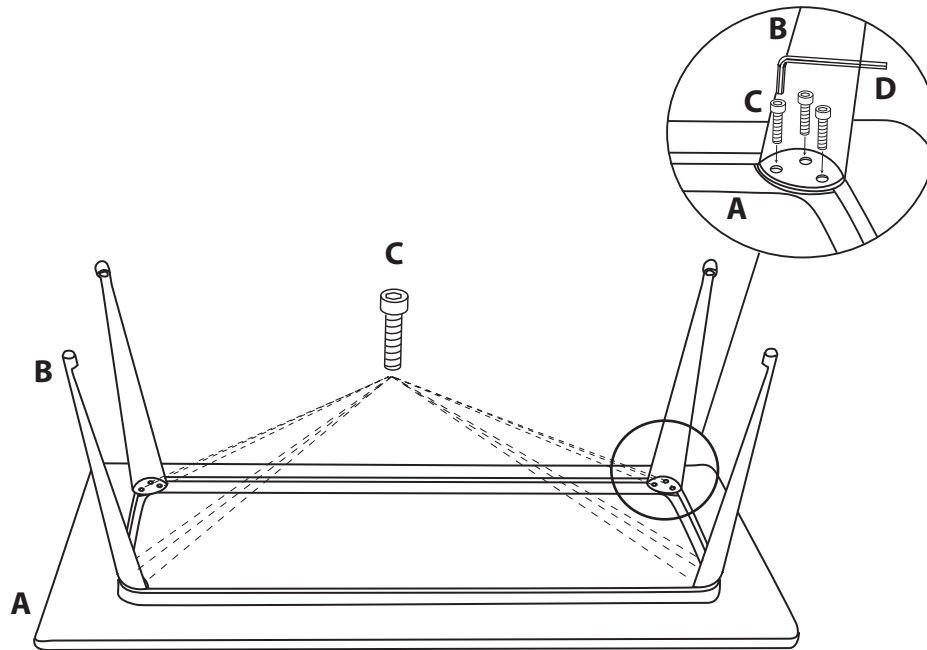
x12

C

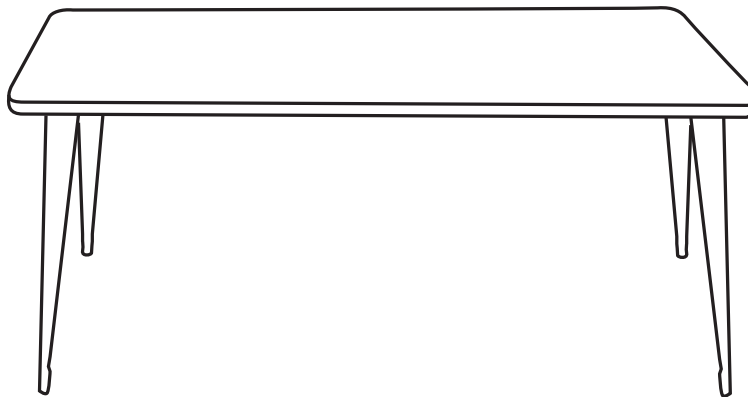


D

1



2



Do not over tighten.
Do not use power tools to assemble.