

Saddle Counter Stool

Part # B26-SADL XX+XX

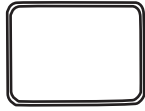
18-0724

PARTS



(A1 + A2)

A



B



x4

C



(6*25*2MM)
x4

D



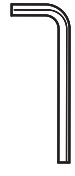
(M6*18MM)
x4

E



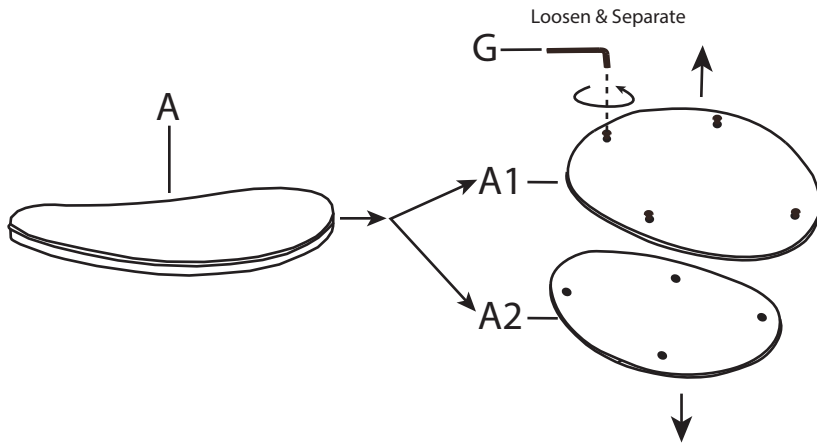
(M6*30MM)
x8

F



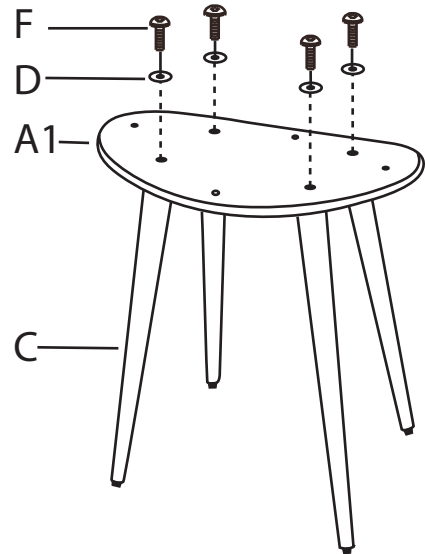
G

1



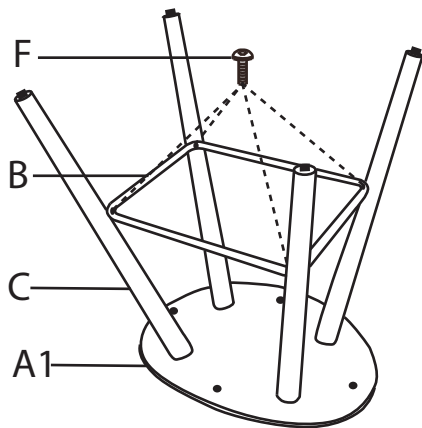
2

! 80%
tighten



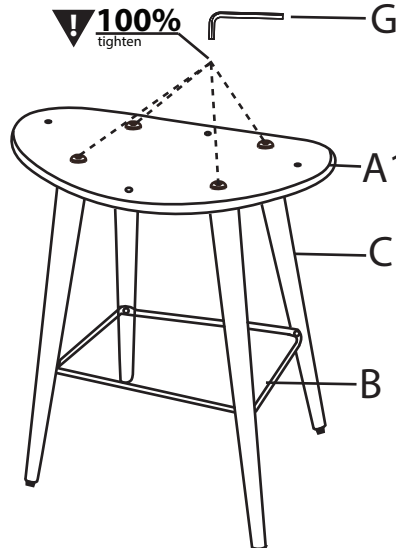
3

! 100%
tighten

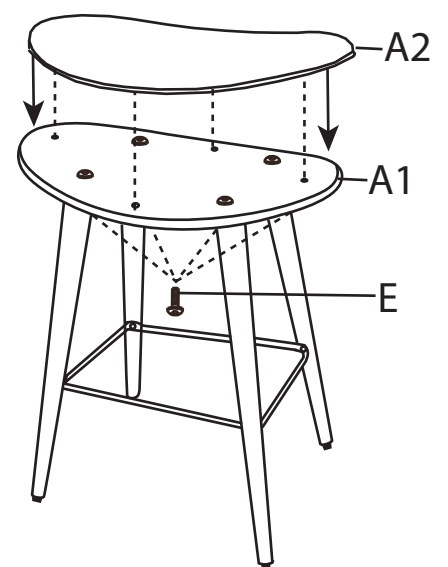


4

! 100%
tighten



5



Do not over tighten.
Do not use power tools to assemble.