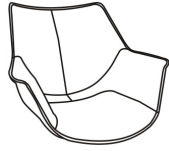


# Wrangler Chair

Part # CH-WRNG XX

16-0513

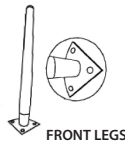
**PARTS**



A



B



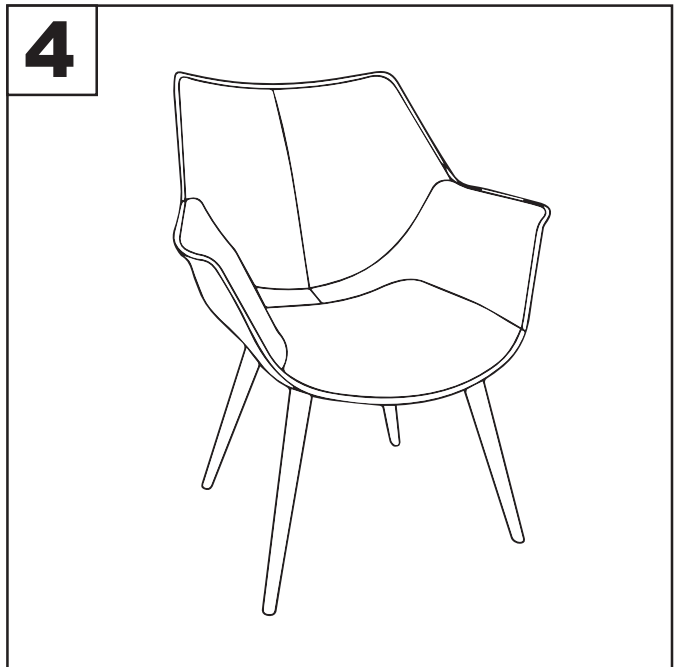
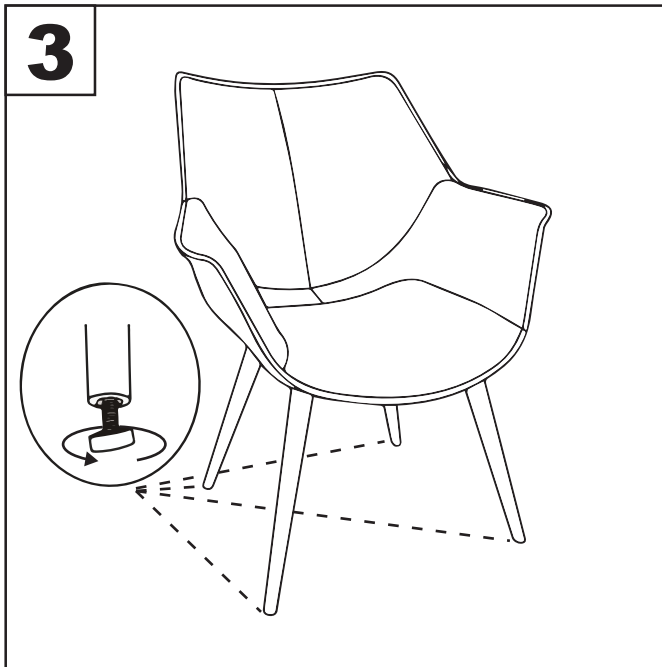
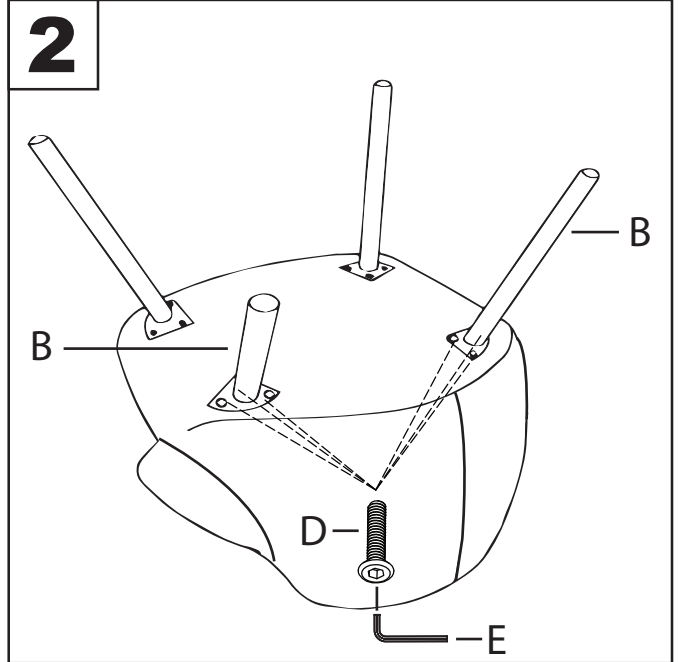
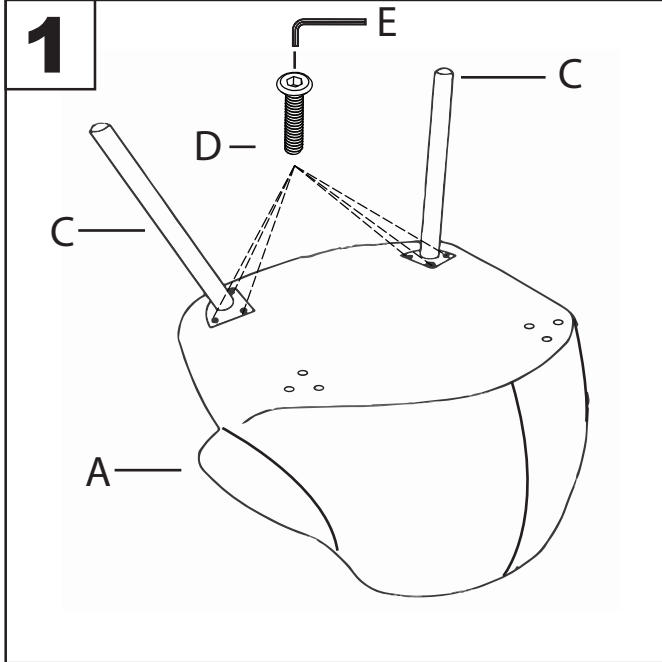
C



D



E



Do not over tighten.  
 Do not use power tools to assemble.

**WARNING:**

- ALL BOLTS, SCREWS, AND KNOBS MUST BE TIGHTLY SECURED, AND SHOULD BE CHECKED AT LEAST EVERY 4 MONTHS.
- IF PARTS ARE MISSING, BROKEN, DAMAGED OR WORN, THEN STOP USING THE PRODUCT UNTIL REPAIRS ARE MADE USING FACTORY AUTHORIZED PARTS.