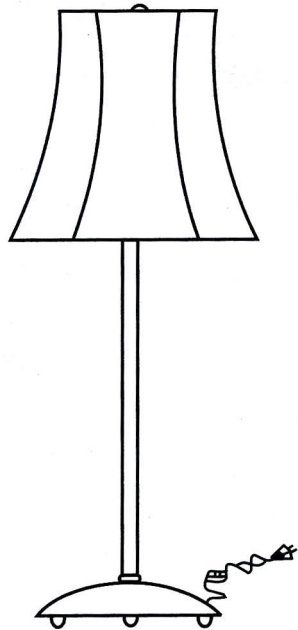
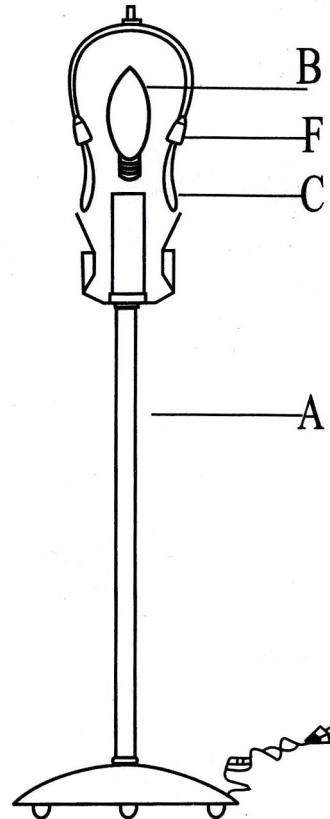
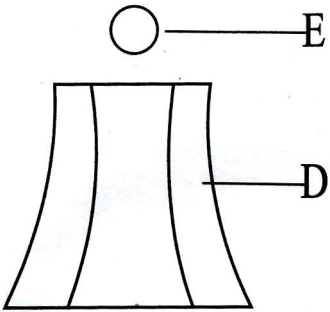


# Assembly Instruction Retro Lamp

LumiSource, Inc.



- 1, Screw 120V 25W bulb(B) into lampbody(A), then press harp(C) and lock it to lampbody(A) as drawing, letting cap(F) to cover connecting point.
- 2, Put shade(D) onto harp, then screw decorating ball(E) to fix shade.