

Instruction Manual

Audio Phasing Squares

Features

- 48 colors create a fascinating display
- 4 color patterns
- Adjustable speeds for color programs
- Solid color settings
- "Pause" feature freezes the color pattern on your favorite design
- Sound sensor lets colors dance to the sound of music
- 15, 30, 60 minute auto-timer
- Table-top or wall-mount (hardware included)

Assembly

Unpack the product and check to make sure everything is included (Fig. 1)

- Audio Phasing Squares Light
- 2 screws
- 2 anchors
- 1 adaptor
- 1 audio cord

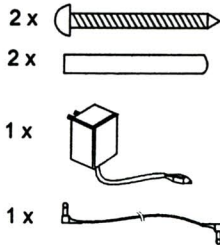


Fig. 1

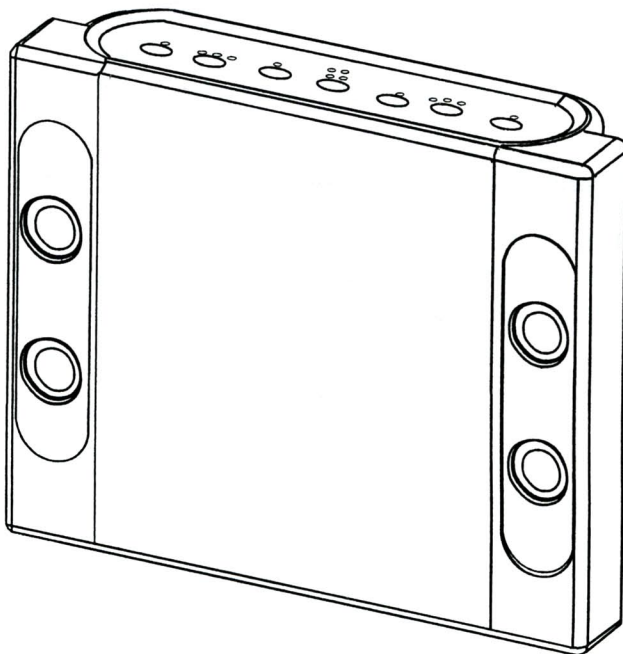


Table-top

Place the unit on a sturdy, level surface.

Wall-Mount

1. Determine the location and height you are going to hang the unit.

NOTE : Check the intended wall locations for structural strength. Injury to persons and damage to unit and/or mounting surface may result if unit is pulled from the surface. To limit the likelihood of such injury or damage, mount unit on a structural wall.

2. Using the position of the mounting holes on the back

of the unit (Fig. 2), mark the position on the wall where the two holes will be drilled.

3. Drill two holes that accommodate the anchors provided.

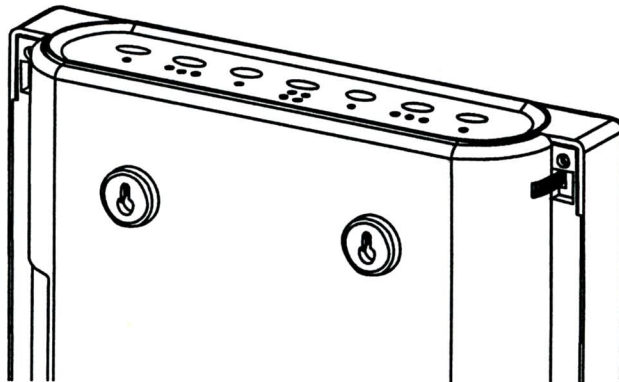
You may use a 7-32 inch drill bit.

4. Insert the wall anchors into the two holes.

5. Insert the screws into the wall anchors and tighten with a screwdriver.

6. Place the unit on the wall.

Fig. 2



Instructions for Use

1. Attach the A/C adaptor jack to the base of the unit and plug the cord into a household outlet (Fig. 3).
2. Press the POWER to turn on.
3. To select an interactive pattern. press the PROGRAM button.

- One time for FLOW (use for times of relaxation)
- Two times for NOMAD (ideal for moments of reflection)
- Three times for GEOMETRICS (engages focus)
- Four times for MIX

4. To pause on your favorite pattern, press the PAUSE

button and the unit will capture and display that pattern.
To resume the program, press the PAUSE again.

5. To adjust the speed. press the SPEED button.
Speed will automatically default to SLOW when used for first time.

Press the SPEED button repeatedly to select from
MEDIUM, FAST and back to SLOW.

NOTE : When switching patterns, the speed of your choice
will be retained until the power is turned off. Once turned off,
it will default to SLOW speed for next use.

Fig. 3

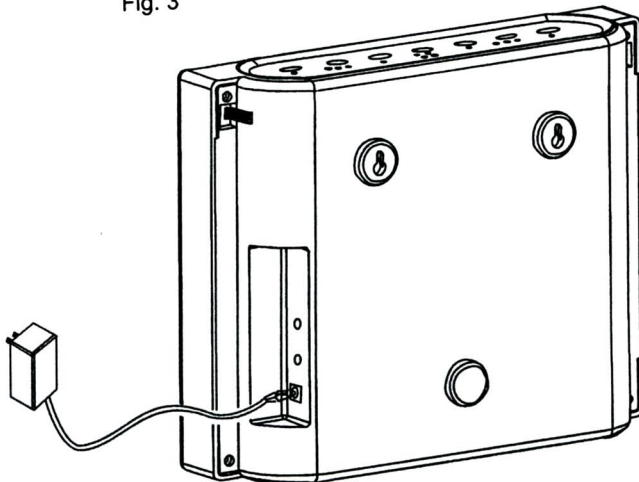
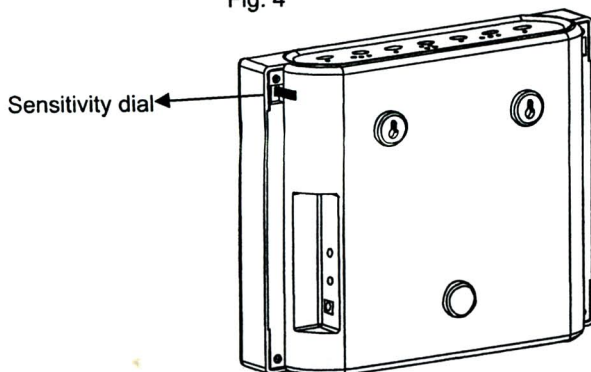


Fig. 4



Sound Sensor

6. Using sensitivity dial (Fig. 4): Turn the dial to increase or decrease the level of sound sensitivity.
7. Press the SOUND SENSOR button to turn on. The colors and speed of the unit will change in relation to the volume of the sound
Turn on music and watch the pattern change to the music. The pattern will also change to other external sounds such as voices
8. When finished using this feature, press the SOUND SENSOR button again to turn off. Or you may select another function by pressing PATTERN, SOLID COLOR or PAUSE buttons.

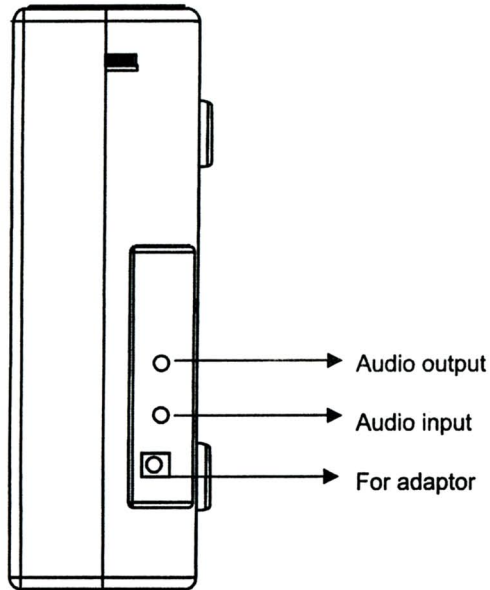
Auto-Timer

9. To turn on the auto-timer press the TIMER button (available in PROGRAM, SENSOR or COLOR mode)
 - One time for 15 minutes
 - Two times for 30 minutes
 - Three times for 60 minutes
 - A fourth time will turn timer off.

NOTE : When switching programs the time of your choice will be retained until the power is turned off.

Audio

Fig. 5



10. Plug one end of the audio cord (provided) into the headphone jack of your audio device (such as MP3 player, CD player, computer, etc.) and plug the other end of the cord into the audio input on the unit (Fig.5). The audio output jack on the unit can be used to connect headphones.

11. A volume dial is located on the side of the unit (Fig. 5). Turn the dial to select desired volume.

Fig. 6

